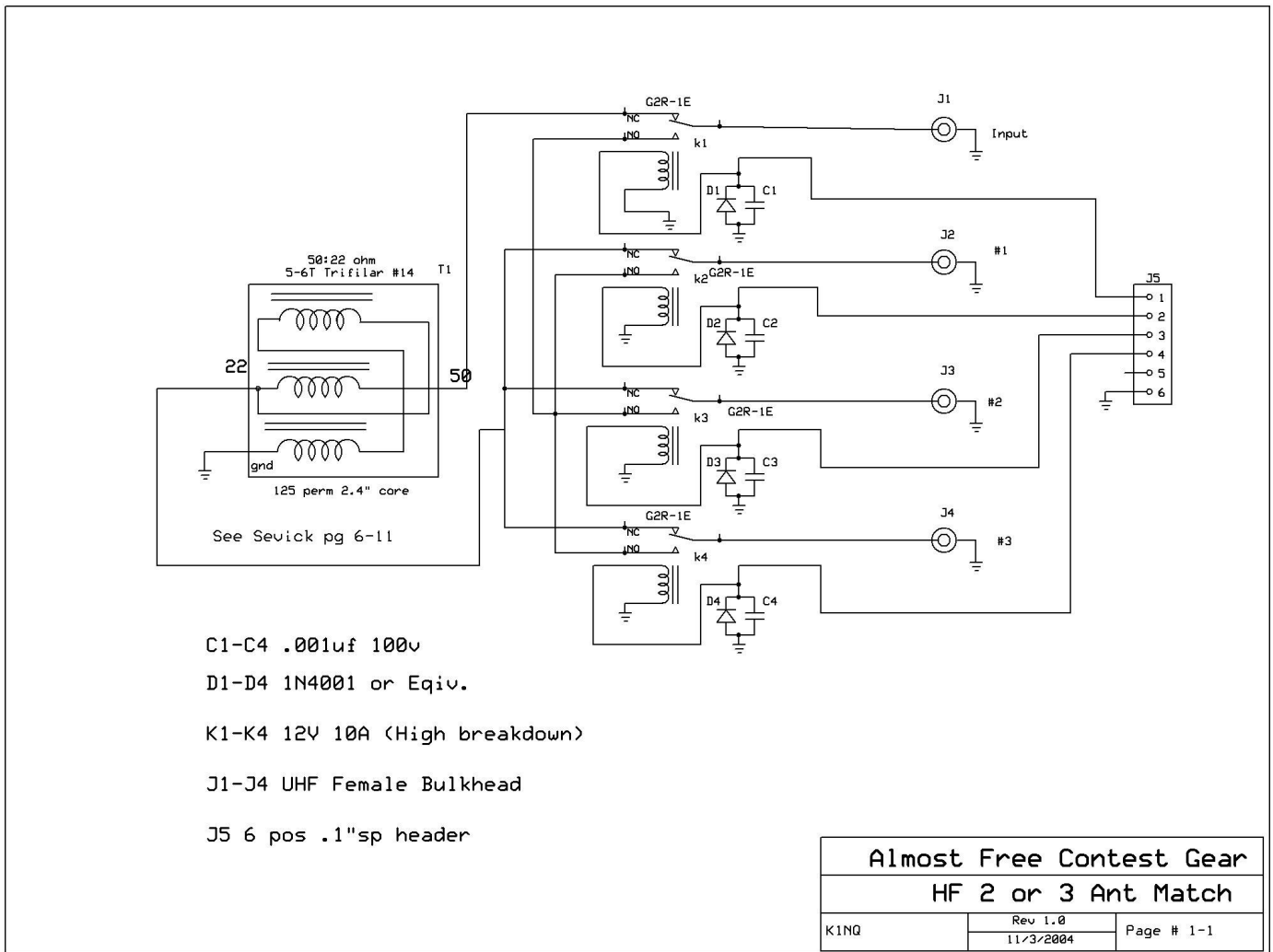


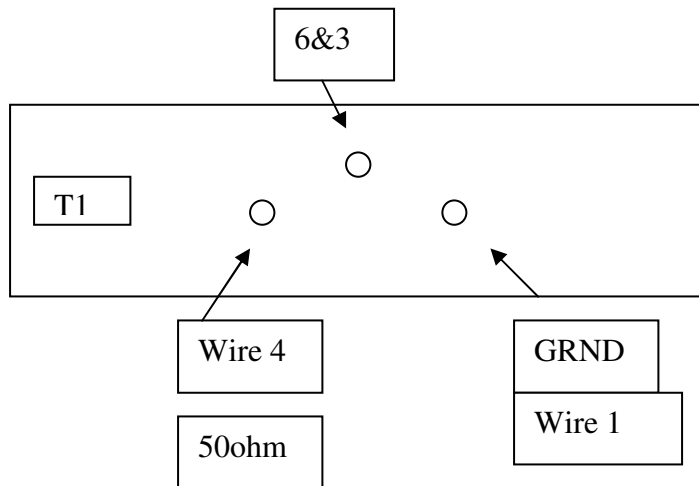
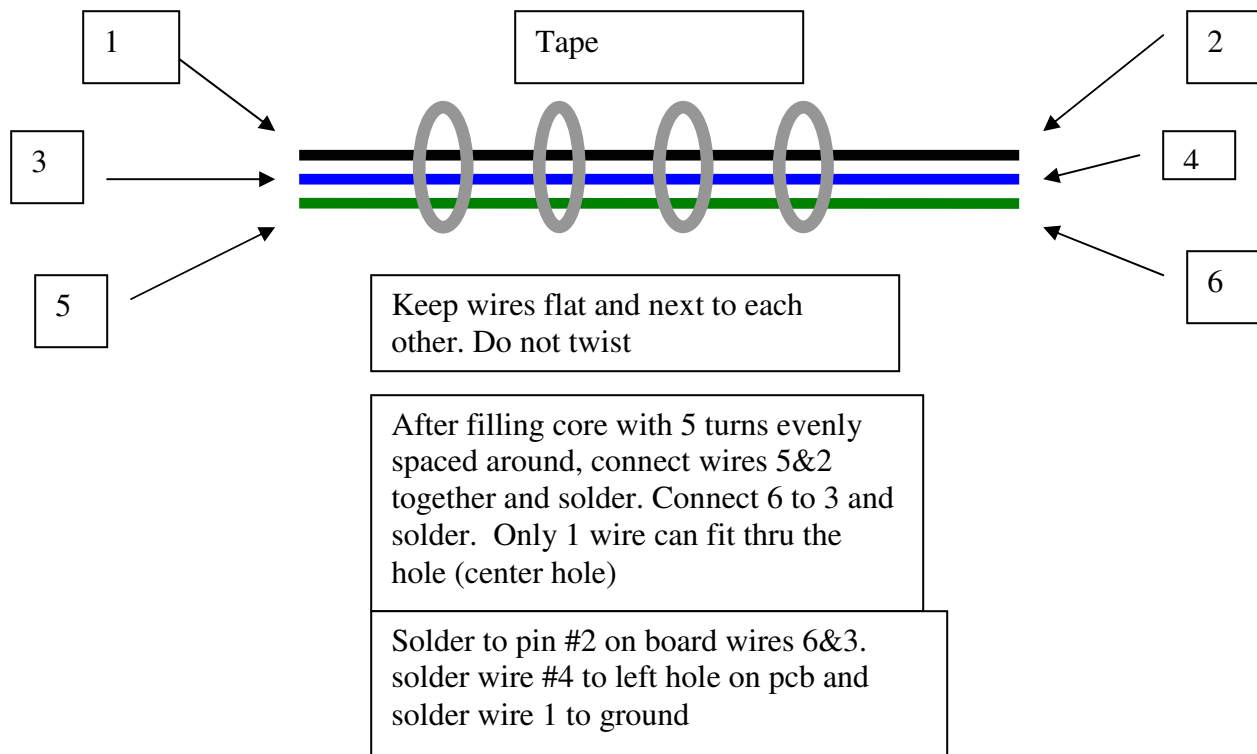
K1NQ Ver1 YCCC 3 Stack Controller Rev2

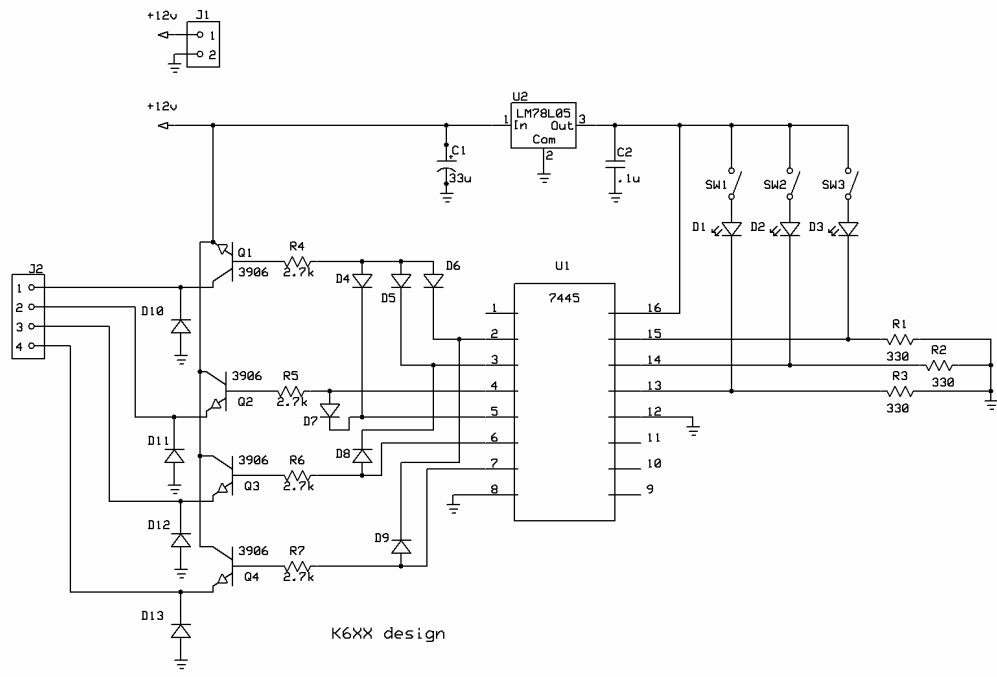


- T5022 5-6T #14 E Trifilar on FT-240 125 perm
- C1-C4 .01uf 50/100V
- D1-D4 1n4001 or Eqiv
- J1-J4 UHF CONN
- J5 6pin .1" header or solder terminal
- k1-k4 Omron G2R-1E-DC-12 Or American Zeatler AZ755-1C-12D
- Box Your choice

Winding the transformer. Start with 3 pc's ~18" of #14 enamel wire and tape side by side every 2". Mark each end for easy identifications 1-2, 3-4, 5-6.1. See Sevick W2FMI pg 6-11 transmission line transformers for

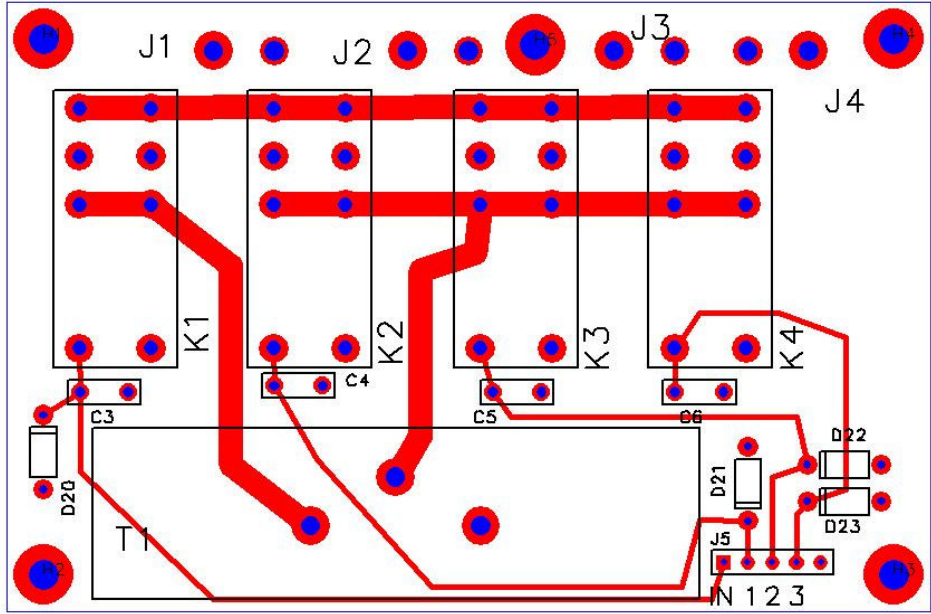
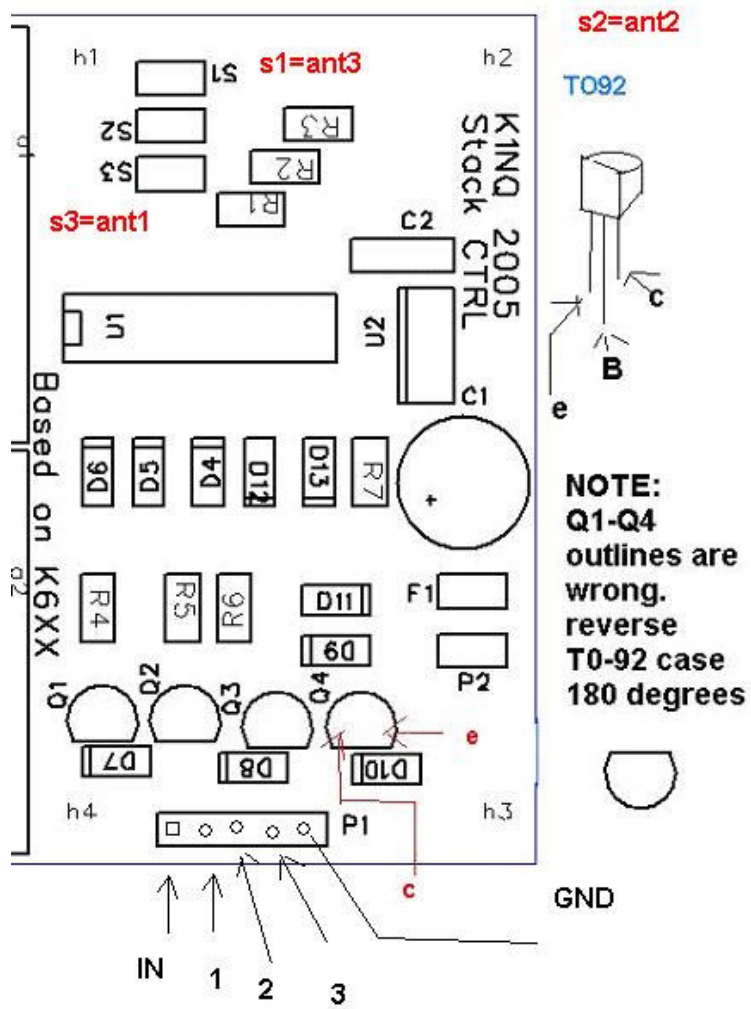
details.





Almost Free Contest Gear		
3 stack Control		
K1NQ	Rev 1.0 11/29/2005	Page 1

Controller	Ocean state electronics	qty	cost	total
C1	33u/20V	1	0.17	0.17
C2	.047u/50V	1	0.15	0.15
D1-D3	T1 LED	3	0.2	0.6
D4-D13	1N4148	10	0.1	1
J1	POWER	1	0.65	0.65
J2	5 TERM	1	1.95	1.95
Q1-Q4	2N3906	4	0.1	0.4
R1-R3	330	3	0.05	0.15
R4-R7	2.7K	4	0.05	0.2
SW1	SPST	3	1.5	4.5
U1	7445	1	0.99	0.99
U2	7805	1	0.59	0.59
	LED HOLDER	3	0.2	0.6
	CASE	1	0	0
Total				11.95



On switch control board.

LED's are off board and connected in series with the switches. See Schematic. Also P1 is for and off board fuse. You can place a jumper wire across Pin and Pin 2 of P1 if no fuse is used. Note that only 1N4148/914 type diodes fit. The leads for 4001 type diodes are too big. Also header pin holes tolerance is tight and P1-P4. Standard .1" headers will work but must be carefully inserted with gentle force. To separate stack and control board, carefully score the line of plated thru holes with a utility knife. Try 5X times each side and gently snap apart the boards. Do this before you populate **Note the package outline for Q1-Q4 is backwards. Install as shown in the margin.**

S3 controls Antenna 1 or antenna relay k2 (J2)
S2 Controls Antenna #2 or relay k3 (J3)
S1 controls antenna #3 or relay k4 (J4)

P1 on control board connects to the Relay board
Pin #1 (square pin) controls K1 relay
Next pin controls antenna #1, relay K2 or J2
Connect pin 1 of P1 to Pin 1 of J5 on the relay board
P1-2 to J5-2 ect....

Errors – old stack schematic had Transformer backwards.