



Scuttlebutt

April 2022

Issue 264

YCCC Zoom Meeting
Wednesday, April 13th, 2022 at 8PM
See eMail Meeting Invite to Zoom Meeting

CAPTAIN’S LOG

Hi All,

This column marks one year in office for me, and around the time you read this, Forty Five years for the club.

I will say the year came with a lot of issues that kept me off balance. You all need to thank Charlie, N1RR for always being there for me. He talked me “off a cliff” more than a few times in the past year. I am learning from his get-it-done-now attitude and approach. Thank you, OM.

Having said that, Charlie has informed the executive committee he will not be running for Vice President. Otherwise, the rest of the executive committee are willing to go another round if you will have us.

I spent a few minutes looking at club participation in the ARRL DX contests. Note the dues-current club membership stands at 244 as of April 1st and the count of members with dues one year lapsed is 291.

Contest	Logs Submitted	Members	Dues Current % Club Participation	Current + 1 year lapsed
ARRL DX CW	129	156	64%	53%
ARRL DX SSB	110	140	57%	48%
Totals	239	195*	80%	67%

Logs submitted are from the ARRL Logs Received page and the members count is derived manually from looking at the Multi-Op entries posted on 3830Scores.com. The Members column *total* shows the unique operator count across the two contests. Some eligibility considerations may affect the actual number, but this gives a pretty good snapshot.

When scanning the callsigns in the logs submitted vs dues status, I think the Current + 1 year lapsed # is the right count to be looking at. Are we happy with a ~50% participation in the majors and an overall 67% across them? Where should our energies be directed, encouraging more of the existing members to get on the air or aggressive recruiting to grow the membership to the point that even at 50% participation we overwhelm the boys down south?

(Continued on Page 3)

Yankee Clipper Contest Club	
President	Ken Caruso, WO1N President@YCCC.org
Vice President	Charles Morrison, N1RR 401-742-7240 VicePresident@YCCC.org
Activities Manager	Gerry Kersus, W1GD Activities@yccc.org
Secretary	Brian Szewczyk, NJ1F Secretary@YCCC.org
Treasurer	Chet Slabinski, N8RA Treasurer@YCCC.org
Scuttlebutt Editor & Publisher	Steve Rodowicz, N1SR (413) 593-6554 N1SR@arrl.net
Webmaster	Mike Gilmer, N2MG webmaster@yccc.org
Scorekeeper	Alec Berman, W2JU Scores@YCCC.org
WI QSL Bureau Co-Managers	Eric Williams, KV1J Dennis Egan, W1UE WIQSL@YCCC.ORG
Technical Assist Mgr	Dave Jordan, K1NQ (978) 443-3603 YCCCTA@YCCC.ORG
New Members	Mark Pride, K1RX (603) 231-8965 Members@yccc.org
Media Manager	Tom LeClerc, W1TJL Content@yccc.org

Ship's Log	April, 2022	Issue 264
Captain's Log	Ken Caruso, WO1N	1,3
New Crew		2
YCCC Meeting Minutes February 16, 2022		4
NE Mass Area Meeting Minutes, 2/15/2022		5
Exec Comm Summary – March 8 th , 2022		5
Capital Area YCCC Meeting - 2/10/2022		5
CQ WPX Contest Placque Sponsor Thanks		6
Transmit Audio w/ModMic. Chet, N8RA		7-8
ARRL DX Contest Write-ups Winners		9-12
ARRL DX 2022 – YCCC vs FRC		13
ARRL DX CW 2022 – YCCC Scores		14-17
ARRL DX SSB 2022 – YCCC Scores		18-21
YCCC Resources		22

NEW CREW

John, AJ1DM Mark KA1YQC Rich, KB1FGC Michael, KC1MUU
 Bill, N1HKO Ross, W2TT Ryan, KC1PJE

-. - - / - . . . / - . . . / - . . .

Area Managers

ME	Mike Russo, K1EU	(207) 883-9524	k1eu@maine.rr.com
ENH/NEMA	Ken Caruso, WO1N	-----	wo1n@arrl.net
WNH/SVT	Craig Clark, K1QX	-----	k1qx@arrl.net
SE MA (508) [co-mgr]	Charlie Morrison, N1RR	(401) 742-7240	charles.morrison.n1rr@gmail.com
SE MA (508) [co-mgr]	Dave Neil, W2DAN	-----	-----
Boston (617/781)	Joe Fitzgerald, KM1P	(617) 325-6767	jfitzgerald@alum.wpi.edu
WMA (413)	Tom Homewood, W1TO	(413) 743-7342	w1to@arrl.net
CT (860)	Rich Cady, N1IXF	-----	n1ixf@arrl.net
CT (203)	Mike Loukides, W1JQ	(203) 458-2545	MikeL@oreilly.com
RI (401)	Charlie Morrison, N1RR	(401) 742-7240	n1rr@n1rr.com
NNY	John Corini, KE1IH	-----	John.Corini@gmail.com
NYC/LI (718)	Tom Carrubba, KA2D	(631) 422-9594	ka2d@arrl.net
SNY/NJ/PA (914)	Hank Kiernan, KF2O	(914) 235-4940	hankkier@aol.com
NVT (802)	Jason Garneau, K1LOL	-----	-----
QUEBEC	Guy Lemieux, VE2BWL	-----	guy@guylemieux.com
CAPE & ISLANDS	----- OPEN -----	-----	-----

Articles in the Scuttlebutt (except for those separately copyrighted) may be reprinted, provided proper credit is given.

(Captain's Log continued from page 1)

Growing the membership has proven to be difficult. The vote-in requirement limits the opportunities to add members. We had nine applicants at the last Zoom meeting but only six were able to attend. We are back up to nine pending applicants, three carry over and six new applications.

I think we have to ask ourselves, is the voting requirement really doing what we intended? There is some evidence that it is not working. We have had at least one voted-in member state something to the effect, "I have no idea why I joined this club, all you guys want to do is contest" Seriously? How about something like granting probationary status immediately upon application but you do not become a full member until n number of contest logs have been submitted? Changes here would require changes to the constitution. Just some thoughts...

The website continues to be updated. Thanks to the efforts of Mike, N2MG and Steve, N1SR you can now find every newsletter and contest cookbook ever published. Good reading!



Dick, WO1I and Alex, AK1MD had a good time

Montana Grill get together organized by Charlie, N1RR was good fun. There is something to be said about face to face meetings.

I also got to spend some time talking with the W1SRG team, Larry AG1C and Dave, K1MT. They offered up the possibility of a club cookout at the Southboro Rod and Gun club. They have an onsite club shack and a covered pavilion that can seat up to 100. The executive committee reviewed their offer, decided to move forward with it. We then identified a few alternative dates in the June and

July time frame for Larry and Dave to bring back to Southboro Rod and Gun club board. They received approval to hold a cookout on Saturday, July 2nd. Watch for further details.

It's that time of year again, dues are up! Brian, NJ1F has been keeping the website roster up-to-date. If you see your dues date as 12/31/2021 or earlier, you are up for renewal. Those that haven't paid your dues since 12/31/2016 have been removed from the online roster. Dues are \$15/year and are payable via PayPal. You only need to pay for the current year to get active again. There is no need to pay for past years.

I hope to see you at the YCCC Pizza party at the Dayton Hamvention. I'm looking forward to it having not attended since 2003. Finally, by now you've gotten to know me and my style. You know, those outstanding characteristics like the inability to plan more than 2 days in the future and the reluctance to ask you for hard commitments or decisions. If you are willing to put up with that, I'll try to improve over the next year.



W1SRG Team, AG1C and K1MT - 798K points in ARRL DX combined

73,
Ken – WO1N

Yankee Clipper Contest Zoom Meeting Minutes February 16, 2022

President Ken WO1N called the Zoom Meeting to order at 8:04 pm.

President Ken WO1N asked for the Secretary's report which Brian NJ1F gave. A motion to accept the report was made and seconded. The motion carried

President Ken WO1N asked for the Treasurers report which Chet N8RA gave. A motion to accept the reports was made and Seconded. The motion carried.

President Ken WO1N asked if there was any Old Business

There was no Old Business.

President Ken WO1N asked if there was any New Business.

There was no New Business

President Ken WO1N asked if there was anyone on the zoom meeting that wanted to join the club. John AJ1DM, Mark KA1YQC, Rich KB1FGC, Michael KC1MUU, Bill N1HKO, Ross W2TT, Ryan KC1PJE were all welcomed aboard.

President Ken WO1N introduced Jim K1IR who gave the presentation "YCCC where's that MOJO?" A motion to adjourn was made and Seconded.

The meeting adjourned at 9:15 pm.

Submitted

Brian Szewczyk NJ1F

YCCC Secretary

-.-.-/-.-.-/-.-.-/-.-.-

North East Mass Area Meeting Minutes

Ken Caruso – WO1N

A quick North East Mass area meeting was held via Zoom on February 15, 2022 between the hours of 7PM – 8PM.

There were 12 check-ins including WO1N, K1IR, W1WEF, K1LD, W1ZZ, VA2EBI, W1HNZ, K5ZD, W1DYJ, AB1J, K1RX and NN1C@ZF1A

We tried to discern the origin of the saying "Kick Butt". W1WEF offered that it was start by W1ARR (SK), but that W1ARR lived in California at the time. K5ZD thinks the NCCC folks have first claim to it. Others offered we might want to come up with a more nautical saying.

Jim, K1IR previewed some data analysis he will show at the next club meeting NN1C checked in from a restaurant close to ZF1A superstation offering he was hungry after a day of tower work down on the island.

All in all a casual affair with many members indicating they would be attending the next full meeting scheduled for the next day.

The meeting was closed at 8PM.

-.-.-/-.-.-/-.-.-/-.-.-

Executive Committee Summary Minutes March 8th, 2022

An executive committee online meeting was called to order by WO1N on March 8th, 2022 at 8:00 PM
In attendance: N1RR, NJ1F, W1GD, N8RA and WO1N.

The current executive committee members were polled for their intention to commit to another year to the club. The current slate looks like:

- President: WO1N committed to another year
- Vice President: Open
- Secretary: NJ1F committed to another year
- Treasurer: N8RA committed to another year
- Activities Director: W1GD was undecided but subsequently committed to another year.

WO1N took an action item to reach out to the extended board for assistance in identifying a candidate for the VP position.

New member applications were reviewed. There were 6 pending at the time of the meeting.

A preliminary agenda for the April General Club meeting was developed. The meeting will be a Zoom session.

An offer from a club member to sponsor a cookout was discussed. Potential dates were reviewed. More detail to follow.

The next live meeting, other than a cookout, will be held on August 27th at the New England HamXposition.

N1RR gave a preliminary report on the clubs ARRL DX performance.

The executive committee discussed a recent offer to do advertising in club assets like the newsletter and website. N8RA offered he would not like to see the clean format of the club's website messed up with advertising banners and the like. W1GD noted the PVRC approach where there are no dues and the club is primarily funded through ads. No conclusions were reached.

Other old business was reviewed for progress. The meeting was adjourned at 9:30PM.

Executive committee meeting minutes are offered for informational purposes only.

-. - - / - . . . / - . . . / - . . .

Capital Area YCCC Meeting Summary

John KE1IH

Capital Area Local YCCC, had a get together on Thursday evening February 10th at Ravenwood Pub in Clifton Park NY.

Attendees: Will WC21 Saul K2XA John KE1IH
Mike N2MG and second harmonic.

We had a general discussion about contesting, beverage receive antennas and what type of crimp connector to use at the top of the tower.

-. - - / - . . . / - . . . / - . . .

THANKS FOR SPONSERING 2022 CQ WPX CONTEST PLACQUE



Worldwide Radio Operators Foundation, Inc
P O Box 529
Fredericksburg, TX 78624-0529 USA
Tax ID: 27-1435449

Donor: Yankee Clipper Contest Club
Date of Receipt: March 9, 2022
Type of Contribution: Cash
Amount of Contribution: \$55.00 U.S.
Purpose: CQ WPX Contest Plaque Sponsorship

Dear Yankee Clipper Contest Club:

On behalf of Worldwide Radio Operators Foundation, Inc., thank you for your generous donation as noted above.

WWROF is dedicated to improving the skills of amateur radio operators around the world, utilizing education, competition, advancement of technology and scientific research, promoting international friendship and goodwill, and preparing them to better serve society in times of communication need.

Donations are tax deductible under IRS 501 (c) (3) provisions. No goods or services were provided to you for this donation.

Sincerely,

Worldwide Radio Operators Foundation, Inc.

<https://wwrof.org/>

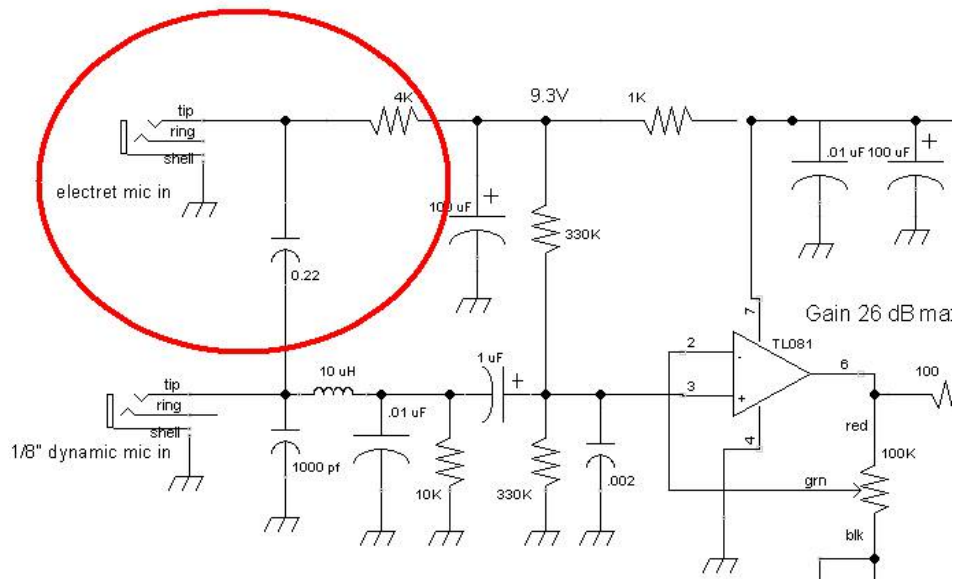
Transmit Audio with a ModMic

Chet Slabinski, N8RA

My vintage Heil headset occasionally became intermittent a couple of years ago. I thought I had fixed its bad connection, but it kept failing in the middle of the last couple of contests. I'd be forced to switch to a desk mic when it would start acting up. Santa brought a new Sony headset, and I purchased a ModMic to put on it. With the ARRL contest looming in a few days, I needed to get that working. Easy-peasy, plug and play, right? Nope, not that simple, five additional things were needed.

Microphone Bias

The ModMic is an electret type so needs bias. I added this circuit to my mike preamp but if you are connecting the mike directly to your transceiver, it may have a configurable option to supply bias to its mic jack.



Miniature Jacks

I could not get any audio out of the ModMic until I discovered that the ModMic plug is 3.5mm and I had used an older 1/8" jack in my preamp which would short out the new plug. Duh! More digging thru the junk box yielded compatible parts.

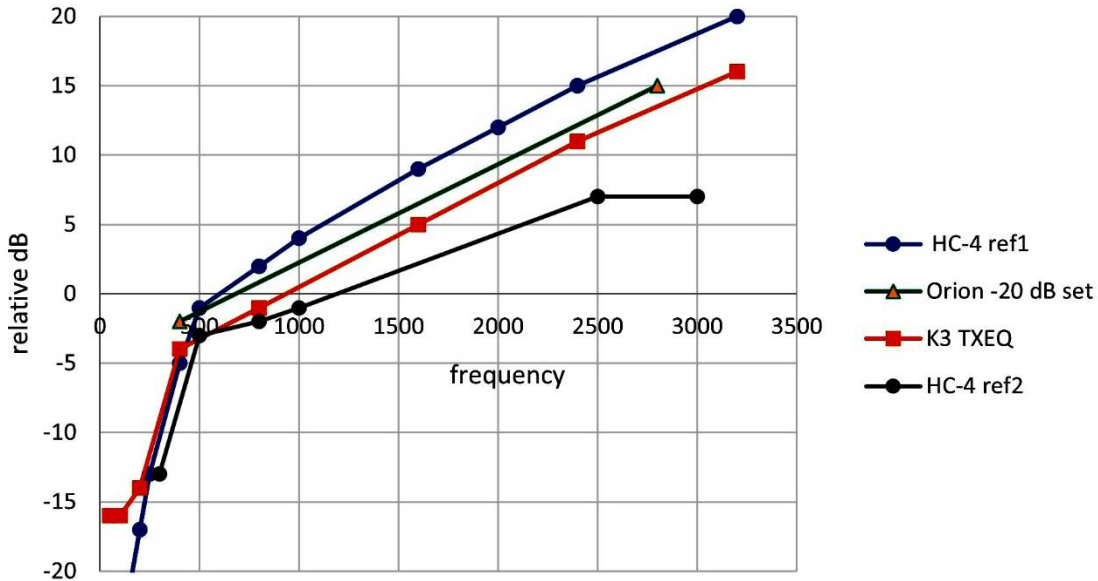
Boom Mounting Position

I was concerned that the length of the ModMic when mounted on the Sony would not allow having the element in front of my mouth as was necessary with the Heil headset. But the ModMic instructions said its element "should be" to the side of your mouth, and, sure enough, it has much higher output and works FB there. That is a nice plus- I no longer need to swing the boom mic out of the way to snack or sip a beverage while operating.

Frequency Response

The ModMic has a flat response, whereas the Heil had the effective HC-4 "contesting" element. So, I now needed to provide that contesting equalization elsewhere. This can be done with the equalizers in my K3 and Orion, but to what parameters? After finding published HC-4 response data, I used a spreadsheet to help determine the required settings for my radios.

Heil HC-4 response



The Orion “-20dB” TX EQ setting seems right-on and the transmit audio sounds the same on both radio’s. Their intelligibility is way better than if un-equalized.

New WAV File Recordings

All my old wav files had been recorded with the HC-4 Heil headset , so could no longer be used now that the radios will have their transmit equalizers active. (Not surprisingly, the old files really sounded super tinny if played.) I re-recorded the messages needed for the ARRL DX contest in Audacity so that I could then tweak them a bit.

One tweak was to shorten the CQ message. I delete the dead air at the beginning and end of each message so that they play and end instantly. Audacity also lets you change the speed of a recording and then change the pitch to bring back the natural voice. Hey, every second counts, and it says you mean business.

My settings for the K3	
<u>freq (Hz)</u>	<u>equ (dB)</u>
50	-16
100	-16
200	-14
400	-4
800	-1
1600	5
2400	11
3200	16

Another was to amplify the numeral in my call. With my voice, the “eight” comes out weaker than the letters. I was often asked to repeat my prefix. Audacity allows selecting part of a recorded spectrum and then amplifying that selection by whatever amount you want to get all of the elements to an equal (or emphasized) audio level.

Contrary to the practice of having your messages be as short as possible, I thought introducing a short gap between the “5-9” and the “Charlie-Tango” in my exchange message might help the receiving operator’s brain clearly hear my section. I initially set a silence gap of 170 msec, but during the contest this seemed way too long a pause, so I shortened it to 70 msec.

Results

During the ARRL DX SSB I rarely had to repeat my prefix when S&P’ing with my recordings. And that was likely due to QRM mixing in because the query would be way off, like “was that November THREE Radio America?”.

I think the short gap in my report also worked well; no-one ever got my section wrong. The few requests for verification were from ops not believing that Charlie Tango was the right section for an N-8.

ARRL DX Contest Write-ups Ken – WO1N

3830Scores.com postings came in at 75% for the CW running and 67% for the SSB running. Despite the relatively poor showing, the real focus is to get you to write about your experiences, to share with the group and hopefully inspire more club members to get on the air.

The initiative works like this, I will select up to a ½ dozen 3830 posts made by YCCC members at the conclusion of each of the majors and present them to the executive board. Board members will consider the **Effort**, **Perseverance** and **Determination** of the station owner/operator and/or guest ops that the write up conveys and cast their choice accordingly.

The President is not eligible for the award. A winner can win only once per contest season (i.e. CQWW and ARRL DX combined entries). The President has discretion in the case of ties. There will be one winner per each of the 4 majors. The winning entries get published in the newsletter and will be awarded a \$25 gift certificate from DX Engineering or HRO.

Candidates For the 2022ARRL DX CW:

W1VKE: <https://groups.io/g/yccc/message/67526>

W1JQ: <https://groups.io/g/yccc/message/67538>

K1DW@W1TJL: <https://groups.io/g/yccc/message/67591>

K1VUT: <https://groups.io/g/yccc/message/67611>

K1RX: <https://groups.io/g/yccc/message/67606>

For the 2022 ARRL DX SSB:

K1EP: <https://groups.io/g/yccc/message/67983>

ZF5T (W1VE): <https://groups.io/g/yccc/message/67996>

W1HS: <https://groups.io/g/yccc/message/68079>

You can review all 143 write-ups posted by the club members across the two contests by sorting on the #ARRLDX-2022 Tag in the groups.io reflector database.

And ... the winners are:

Vin – W1VKE for his CW effort and write-up

Steve -W1HS for his SSB effort and write-up

Congratulations, gentlemen!

The winning CW entry:

Call: W1VKE

Operator(s): W1VKE

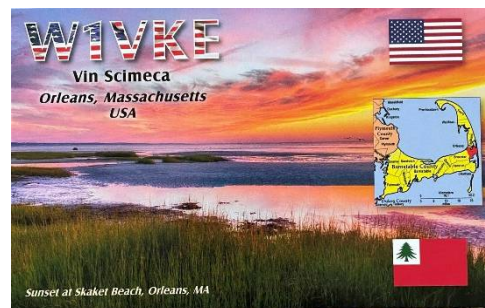
Station: W1VKE

Class: SOAB LP

QTH: MA

Operating Time (hrs): 14.6

Club: Yankee Clipper Contest Club



Summary		
Band	QSOs	Mults
160	0	0
80	26	19
40	89	35
20	113	42
15	99	44
10	10	5
Total	333	145
Total Score = 144,855		

Comments:

I am very satisfied with my second real contest contribution. My goal was 100k+ score and 300+ QSOs, so my goal was achieved. I operated casually and took many breaks and went for a few walks and tended to general household tasks.

On Friday around noon, UPS delivered my new to me K3 so I actually had time to get it set up and had a few practice QSOs before the contest. Luckily it is similar to my KX2, but the filtering on the K3 is way better. All operating was S&P with the K3 at 100 watts into an 80-10 EFHW that came down early Friday morning in the wind storm we had out here on Cape Cod. I was able to get it back into the oak in my back yard in a little bit of a better position.

Friday night was a lot of fun and I was able get some good production on 80 and 40 until about 6:00 UTC. Saturday morning was good as well, but as I went into late afternoon / evening it seemed that all hell broke loose. I admit I am very new to the hobby, cw and contesting, but I was amazed at the lack of good operating practices that I was hearing. People just calling over and over and over, even when the runner was sending letters that weren't close to what guys were sending. Just power sending their call. It was even worse when it was a station that was somewhat rare that I am guessing they just had to have for their multiplier. I decided to call it a night earlier than planned and I didn't have high hopes for Sunday.

I got on around 13:00 UTC on Sunday and I was amazed! All the people who seemed to ruin things for me on Saturday night were gone and I was able to find some really good openings and stacked up some good multipliers. I had planned on doing some things around the house, but I was having too much fun and I didn't know how long it would last, so I kept at it. I took a few small breaks, but then around late afternoon it started to get crazy again. I had made my goals, so I decided to call it a day around 21:00 UTC.

Overall I learned a lot and had an amazing time. I know that my station is very limited so I try to set my goals accordingly. I will gradually increase my operating time and continue to learn what works for me and what doesn't. I really like the K3 so far and I think it will help me out quite a bit. I am now just looking forward to the next one!

The winning SSB entry:

Call: W1HS
Operator(s): W1HS
Station: W1HS
Class: SOUAB HP
QTH: NH
Operating Time (hrs): 24.18
Club: Yankee Clipper Contest Club



Summary		
Band	QSOs	Mults
160	0	0
80	35	19
40	69	35
20	296	72
15	253	68
10	137	34
Total	790	228
Total Score = 540,360		

Comments:

Good contest with some fun propagation conditions. 90% S&P effort as I was unable to get a run going until Sunday afternoon and wasn't able to maintain it very long.

Low band conditions Friday night were really poor. 40m was crowded, but very noisy. While I worked everyone I could hear on 80m I only managed to log 18 QSOs. There just wasn't much there to work. After logging 100 Qs Friday night I pulled the plug at 0345Z.

Saturday morning I was pleased to see 20m open to Europe early and was off to a good start - then 15m and 10 opened up, which was nice to see. I still couldn't get a run going -- couldn't find a clear frequency on 20 and I wasn't feeling particularly strong anywhere. There were plenty of stations to work, and at times my S&P rate was pretty decent.

Saturday night with KP index reaching 5 conditions got weird. There was a lot of flutter and echo on signals. 40m had broadband noise across the band at regular time intervals. Looked like static crashes on the waterfall every 5 seconds, but I wasn't hearing the static. It was visible enough on the panadapter that I thought someone fired up a motorboat in my shack. I wasn't being heard by stations in Europe. 80m was dead, pretty much no one there to work. Called it a night at 0230z

Sunday started off slow, but was able to get Hawaii and New Zealand in the log first thing in the morning on 40m. While I heard a few stations in Australia I was unable to work them. It was slow for the next few hours -- not a lot of stations that I hadn't worked already. I was able to do a little bit of cleanup around the shack while waiting for conditions to improve, occasionally spinning the dial and working new stations as they showed up.

Finally early Sunday afternoon I was able to get a run frequency on 20m. It only lasted 29 minutes but generated 52 Qs. I could hear a lot of stations calling at the same time, almost all of them were really

weak. I was glad that I was able to work so many 100w stations, but I clearly need to improve my weak signal pileup working skills. Tried everything in my bag of tricks "Who's the Italy Zulu?" or "Who's the Echo Alpha?" Statistically speaking there must have been one in there, so good way to thin the pile.

I was able to get another short run going 45 minutes later. Calling stations were stronger, but the run didn't last very long, lasting just 13 minutes and netting just 23 Qs.

Sunday afternoon conditions were best characterized as rapid QSB. When I was able to time things right I was able to work stations that would go from perfectly readable to gone every 3 seconds.

Finished off the day working South America on 10m. I unfortunately had a hard stop at 2000z, so I missed out on the improved conditions toward the end of the contest and didn't achieve my goals for the weekend. I did top my previous best score in this contest, but that given some of the openings in the week prior to the contest I had hoped that I might be able to get something that looked like 1m points / 1k QSOs.

Operating station for this contest:

Icom 7610 with Elecraft KPA1500 amp.
80m, 40m antenna: G5RV 102' dipole @ 50'
20m, 15m, 10m antenna: SteppIR Urbanbeam at 35'

For me, Vin's write up vividly reflected my memories of my early contesting years. The last minute scrambles to get the station back together, the total chaos encountered once the contest started. Having to walk away to regain some semblance of sanity before jumping in again. Keep at it, Vin!

Steve's writeup reflects a solid effort at grinding out the contest for the long haul ultimately improving on his previous best. Keep at it, Steve!

Of course, thank you all for your write-ups. I would be remiss if I did not mention the write-ups of KQ2M and KA1IS, always a treasure to read. The winners from this running will receive \$25 HRO gift certificates.

73 all,
Ken – WO1N

-. - - / - . . . / - . . . / - . . .

YCCC 2022 ARRL DX CW

Logs:	112
Total_Operators	146
Total_QSOs:	127,475
Total_Mults:	25,379
Total_Score:	128,592,977

Multi-Op scores have been applied for YCCC portions.
but Multi-Op QSOs & Mults are as reported.

1/3 of ZF1A, 1/3 of ZF5T, 1/3 of W2A, 1/8 of W1AW.

Logs:	112
Logs_w/OP_Time:	85
Total_OP_Time:	1,881 hrs
AVE_OP_Time:	22.1 hrs
Assisted_Logs:	54

Submitted Logs not reported to YCCC or YCCC

Scorekeeper **8**

FRC 2022 ARRL DX CW

Logs: (Ops 116)	104
Total_QSOs:	136,575
Total_Mults:	30,345
Total_Score:	150,885,455

+

Logs:	104
Logs_w/OP_Time:	72
Total_OP_Time:	2,007 hrs
AVE_OP_Time:	27.9 hrs
Assisted_Logs:	72

FRC projects ~155M for CW with 119 logs

Submitted Logs not reported to FRC Scorekeeper **15**

YCCC 2022 ARRL DX SSB

Logs:	94
Total_Operators	129
Total_QSOs:	89,244
Total_Mults:	20,849
Total_Score:	74,980,731

Multi-Op scores have been applied for YCCC portions.
but Multi-Op QSOs & Mults are as reported.

1/3 of ZF1A, 1/3 of ZF5T, 1/3 of W2A, 1/8 of W1AW.

Logs:	94
Logs_w/OP_Time:	71
Total_OP_Time:	1,450 hrs
AVE_OP_Time:	20.4 hrs
Assisted_Logs:	64

Submitted Logs not reported to YCCC or YCCC

Scorekeeper **13**

FRC 2022 ARRL DX SSB

Logs:	89
Total_QSOs:	88,402
Total_Mults:	23,335
Total_Score:	86,244,712

+ part of the PJ4G

Logs:	89
Logs_w/OP_Time:	65
Total_OP_Time:	1,472 hrs
AVE_OP_Time:	22.6 hrs
Assisted_Logs:	69

FRC projects ~90M for SSB

Submitted Logs not reported to FRC Scorekeeper **15**

ARRL-DX 2022 – YCCC CW SCORES

Call	QSOs	DX	Hours	Score
AA1ON	435	83	11	108,066
AA1QD	-	-	1	1,824
AB1J	320	136	13	130,560
AB1XW	58	41	-	7,134
AE1P	316	134	10	127,032
AE1T	801	255	-	612,765
AG1C	Opr @ W1SRG			
AK1MD	846	261	32	661,635
C6ANM	3,001	229	32	2,061,687
K1AR	3,126	450	38	4,220,100
K1BG	Opr @ K1TTT			
K1DG	3,913	354	37	4,150,296
K1DJ	61	34	4	6,120
K1DW (@W1TJL)	3,392	437	47	4,425,936
K1EBY	Opr @ K1DW			
K1EP (@K2LE/1)	525	79	-	124,425
K1ESE (@W1IMD)	1,802	340	28	1,838,040
K1HT	805	256	16	618,240
K1IB	634	171	-	325,242
K1IG	219	70	23	45,990
K1IR	4,381	461	47	6,038,178
K1JB	1,732	359	21.5	1,865,364
K1KA	268	251	-	201,804
K1KI	1,645	298	15	1,469,736
K1KP	1,985	309	31	1,839,168
K1MT	Opr @ W1SRG			
K1NY	381	200	-	228,600
K1OA	Opr @ K1KP			
K1QX	570	250	12	424,500
K1RM	1,347	196	11.5	792,036
K1RO	2,081	355	25	2,216,265
K1RQ	Opr @ NJ1F			
K1RU	2,757	308	38	2,529,912
K1RV	631	278	15.5	526,254
K1RX	5,924	520	48	9,208,680
K1SX	257	138	5.5	106,398
K1SX	Opr @ N1RR			
K1TH	340	140	7.25	142,800
K1TR	883	84	18	220,752
K1TTT	5,780	541	48	9,278,691

K1TZQ	1,781	316	32	1,681,752
K1VUT	1,415	266	26	1,125,978
K1WHS	126	57	-	21,000
K1XM	2,516	381	40	2,875,788
K1ZE	882	337	16	887,658
K1ZR	Opr @ K1RX			
K1ZZ	3,947	424	40	5,020,584
K2KQ	503	218	15	328,962
K2LE	Opr @ K1IR			
K5ZD	4,265	410	37.8	5,245,950
K8CN	Opr @ K1RX			
KA1IOR	171	109	-	55,917
KA1IS	3,138	360	37	3,389,040
KA1YQC	832	262	20	653,952
KB1W	1,464	293	-	1,242,936
KC1KUG	Opr @ K1RX			
KE1IH	363	147	-	160,083
KE1J	Opr @ K1IR			
KE1VT	605	225	10	407,700
KF2O	336	240	-	241,200
KI1G	Opr @ N1RR			
KK1L	258	146	7.25	113,004
KK1W	1,048	337	20	1,059,528
KM1P	Opr @ N1RR			
KQ2M	4,123	390	41	4,818,060
KS1J	1,107	211	-	700,731
KV1J	537	210	15	338,310
KX1X	413	217	17	268,863
N1DID	482	181	30	261,726
N1EN	1,255	275	28.6	1,035,375
N1EN	Opr @ K1DW			
N1GN	Opr @ C6ANM			
N1IX	649	211	21	410,856
N1IXF	737	246	-	543,906
N1KWF	368	74	-	81,696
N1NK	104	39	-	12,168
N1PGA	188	48	15	27,072
N1QD	Opr @ K1KP			
N1RR	3,062	424	40	3,880,872
N1SOH	Opr @ W1FM			
N1UR	3,503	392	40	4,052,836
N2JFS	Opr @ K1TTT			
N2KA	155	92	9.25	42,780
N2KW	Opr @ K1TTT			

N2NI	1,112	277	20	920,748
N2QV	699	276	13	578,772
N9NC	73	45	1	9,855
N9NC	Opr @ K1RX			
NA1ME	371	165	15.5	183,645
NB1N	1,566	281	26	1,320,138
NE1B	Opr @ C6ANM			
NE1F	10	8	1	243
NF1A	100	68	-	20,400
NF1D	Opr @ K1TTT			
NF1O	729	302	-	660,474
NJ1F	708	245	20.5	520,380
NN1SS	1,648	367	34	1,804,539
NT2X	Opr @ K1TTT			
NU2Q	306	121		111,078
W1AO	75	49	2	11,025
W1AW (W5OV)	-	-	-	64,515
W1DYJ	97	41	6	11,931
W1EQ	1,216	277	26	1,010,496
W1FJ	1,147	298	14.5	1,024,524
W1FM	682	251	27	513,546
W1FV	326	97	-	94,866
W1GD	2,755	428	41	3,537,420
W1HNZ	670	236	-	472,236
W1JQ	1,625	304	30	1,463,760
W1JR	513	135	-	69,255
W1KM	172	75	2	38,475
W1MJ	Opr @ K1TTT			
W1NK	610	263	-	481,290
W1OHM	204	99	-	60,291
W1QK	1,634	294	-	1,441,188
W1RM	1,385	399	17.25	1,657,845
W1SRG	736	687	30	505,632
W1TC	1,548	439	29.5	2,038,716
W1TJL	Opr @ K1DW			
W1TO	Opr @ K1TTT			
W1TR	47	32	1	4,512
W1UE (@W1KM)	3,515	481	37	5,072,145
W1UJ	44	44	1.6	5,808
W1UJ	Opr @ K1DW			
W1UK	-	-	-	281,088
W1VE	Opr @ K1IR			
W1VEM	600	98	16	176,400
W1VKE	333	145	14.6	144,855

W1WEF	1,602	278	24	1,336,068
W1ZZ	Opr @ K1TTT			
W2JU	364	117	4	127,764
W2TT	329	211	10	207,624
W3SM	558	225	25	376,650
WA1BXY	Opr @ N1RR			
WA1T	760	283	20	645,240
WB2NVR	393	164	16.5	193,356
WC2L	117	51	-	18,408
WK1J	699	220	22	461,340
WK1O	934	95	22	259,635
WO1N	1,389	349	36	1,449,048
WS1L	Opr @ K1TTT			
WX1S	1,421	436	30	1,858,668
WZ2T	104	67	5	20,904
ZF1A (NN1C)	7,383	353	47	2,603,728

YCCers outside of the 175 mile ARRL circle for Club Competition:

VA2EBI	1,062	314	22.5	1,000,404
VY2ZM (K1ZM Opr)	462	62	23.5	85,932
K1LZ	3,308	535	48	8,830,710
N1SOH/6	94	51	-	14,382
VA2CZ	813	253	21	614,790
VA2UR	1,141	242	20.3	813,120

ARRL-DX 2022 – YCCC SSB SCORES

Call	QSOs	DX	Hours	Score	Category
AA1ON	Opr @	N1RR			
AB1J	140	87	10	36,540	YCCC SOUAB LP YCCC SOUSB15
AC1EV	295	81	12.3	71,685	HP
AE1P	851	246	24	628,038	YCCC SOAB HP
AG1C	Opr @	W1SRG			
AG2K	158	84	-	39,816	YCCC SOUAB LP
AK1MD	1,064	932	32	991,779	YCCC SOAB HP
C6ANM	3,266	191	30	1,869,126	YCCC M/S LP
K1BG	Opr @	K1TTT			
K1DJ	135	79	2.5	31,995	YCCC SOUAB HP
K1DW (@W1TJL)	1,857	373	42.3	2,038,818	YCCC M/2 HP
K1EBY	Opr @	K1DW			
K1EP (@K2LE/1)	1,100	334	-	1,100,196	YCCC SOUAB HP
K1JB	1,125	318	16	1,073,250	YCCC SOUAB HP
K1KI (KM1P)	2,400	361	32	2,588,370	YCCC SOUAB HP
K1KP	1,452	304	31	1,324,224	YCCC M/M HP
K1MT	Opr @	W1SRG			
K1OA	Opr @	K1KP			
K1QX	543	254	11.3	413,004	YCCC SOUAB HP
K1RDD	Opr @	W1SRG			
K1RM	500	82	5	123,000	YCCC SOAB HP
K1RO	1,120	313	20	1,051,680	YCCC SOUAB HP
K1RQ	Opr @	NJ1F			
K1RV	266	193	6.5	154,014	YCCC SOUAB HP
K1RX	1,649	348	-	1,721,556	YCCC M/S HP
K1SU	Opr @	W1VPR			YCCC SOUSB20
K1TR	57	45	1	7,695	HP
K1TTT	3,529	475	48	4,933,350	YCCC M/M HP
K1XM	870	313	30	816,930	YCCC M/S LP
K1ZZ	789	320	13	757,440	YCCC SOUAB HP
K5ZD	2,661	430	29.4	3,432,690	YCCC SOUAB HP
K8CN	Opr @	K1RX			
KA1IOR	410	239	-	293,970	YCCC SOUAB HP YCCC SOUSB15
KA1IS	741	96	18	213,408	HP
KA1ZD	773	247	18.5	572,793	YCCC SOUAB HP
KB1VEZ	Opr @	NC1CC			
KB1W	667	233	14.5	466,233	YCCC SOAB HP
KC1BXY	Opr @	NC1CC			
KC1ITY	Opr @	W1SRG			
KC1KUG	Opr @	ZF5T			

KC1MUU	73	55	8	12,045	YCCC SOAB LP
KC2G	489	208	21	304,512	YCCC SOAB HP
KD2RD	Opr @	W2A @	KD2RD		
KE1IH	668	256	-	513,024	YCCC SOUAB HP
KE1VT	303	157	-	142,713	YCCC SOAB HP
KF2O	1,024	340	20	1,044,480	YCCC SOUAB HP
KK1L	914	310	21	850,020	YCCC SOUAB HP
KK1W	-	-	-	1,200	
KQ1F	Opr @	K1XM			
KQ2M	3,230	414	37.7	4,010,418	YCCC SOAB HP
KS1J	386	151	7	174,858	YCCC SOUAB LP
KV1J	628	279	13	525,636	YCCC SOUAB HP
KX1X	170	140	7	71,400	YCCC SOAB HP
N1DD	753	209	-	472,131	YCCC SOAB HP
N1DID	439	193	26	254,181	YCCC SOAB LP
N1EN	106	68	-	21,624	YCCC SOAB LP
N1EN	Opr @	K1DW			
N1GN	Opr @	C6ANM			
N1HTS	106	67	-	21,306	YCCC SOUAB LP
N1IBQ	102	64	14	19,584	YCCC SOAB LP
N1IXF	Opr @	K1DW			
N1KM	@	N1RR			
N1KWF	137	61	-	24,888	YCCC SOUAB HP
N1MGO	20	16	2	816	YCCC SOAB LP
N1PGA	1,670	316	36.5	1,583,160	YCCC SOAB HP
N1QD	Opr @	K1KP & W1VPR			
N1RP	850	287	16	731,850	YCCC SOAB HP
N1RR	1,771	358	40	1,882,722	YCCC M/M HP
N1SNB	106	71	-	22,578	YCCC SOUAB HP
N1SOH	467	229	22.2	320,829	YCCC M/2 HP
N1SV	Opr @	VP9i			
N1UR	2,788	394	40	3,234,982	YCCC SOAB HP
N2HX	308	148	-	136,752	YCCC SOAB LP
N2JFS	Opr @	K1TTT			
N2KA	172	106	6	54,696	YCCC SOAB HP
N2KW	Opr @	K1TTT			
N2MG	Opr @	W2A @	KD2RD		
N8RA	658	260	-	513,240	YCCC SOUAB HP
N9NC	979	318	22.5	929,196	YCCC SOUAB HP
NB1N	553	221	16	366,639	YCCC SOUAB HP
NC1CC	1,520	352	33.4	1,596,672	YCCC M/M HP
NE1B	Opr @	C6ANM			
NE1F	133	97	-	38,703	YCCC SOUAB HP
NF1O	374	221	-	247,962	YCCC SOUAB HP
NG1M	861	199	21	514,017	YCCC SOAB HP

NJ1F	102	84	4	25,704	YCCC M/S LP
NN1C	Opr @	ZF1A			
NN1SS	110	97	-	32,010	YCCC SOUAB HP
NT2X	Opr @	K1TTT			
VP9I (N1SV)	3,877	269	31	3,128,739	YCCC SOAB LP
W1AW	2,113	372	36	285,556	YCCC M/M HP
W1DYJ	252	168	9.5	127,008	YCCC SOUAB LP
W1FJ	609	237	11.5	432,999	YCCC SOUAB HP
W1FM	Opr @	N1SOH			
W1GD	1,830	378	38	2,075,220	YCCC SOUAB HP
W1HNZ	547	214	22	351,174	YCCC SOUAB HP
W1HS	790	228	24.3	540,360	YCCC SOUAB HP
W1JQ	869	281	23	727,440	YCCC SOUAB HP
W1JSR	329	162	32	159,894	YCCC M/S LP
W1KAT	Opr @	W1JSR			
W1KM	216	107	6.5	69,336	YCCC SOUAB HP
W1LJD	285	131	12	112,005	YCCC SOAB LP
W1MJ	Opr @	K1TTT			
W1NG	360	231	-	248,787	YCCC SOUAB HP
W1OHM	-	-	-	40,581	
W1OMG	Opr @	W1SRG			
W1OO (K1ESE)	754	268	18	606,216	YCCC SOAB HP
W1QK	759	258	20.5	586,692	YCCC SOUAB LP
W1RM	551	307	15	507,471	YCCC SOUAB HP
W1SRG	532	184	-	293,112	YCCC M/M HP
W1TC	827	324	15.7	803,844	YCCC SOUAB HP
W1TJL	Opr @	K1DW			
W1TO	Opr @	K1TTT			
W1UE (@W1KM)	1,030	341	20	1,053,690	YCCC SOUAB HP
W1UJ	Opr @	K1DW			
W1UK	441	247	5	326,781	YCCC SOUAB HP
W1VE	Opr @	ZF5T			
W1VPR					
(@KB1EKN)	145	95	8	41,325	YCCC M/S HP
W1WEF	607	186	-	335,358	YCCC SOAB HP
W1ZZ	Opr @	K1TTT			
W2A (@KD2RD)	2,340	358	38.9	836,646	YCCC M/M HP
W2DAN	Opr @	NC1CC			
W2JU	179	89	2.5	47,793	YCCC SOUAB HP
W5OV	Opr @	W1AW			
WA1BXY	Opr @	NC1CC			
WA1T	310	164	7.4	153,012	YCCC SOAB HP
WC2L	736	240	20	529,200	YCCC SOUAB HP
WK1J	561	215	22	361,845	YCCC SOUAB HP
WO1I	61	33	1.3	6,039	YCCC SOAB LP
WO1N	660	261	25	516,780	YCCC SOUAB LP

WS1L	Opr @	K1TTT			
WT1M (N1HKO)	-	-	-	876,960	YCCC SOUAB HP
WZ1V	381	190	17	216,600	YCCC SOAB HP 1/3 YCCC M/S
ZF1A	8,743	348	48	9,116,208	HP
ZF5T	6,302	326	48	2,054,452	2/6 YCCC M/S LP

YCCers outside of the 175 mile ARRL circle for Club Competition:

VA2EBI	250	206	7	154,500
VY2ZM (K1ZM Opr)	3,310	451	41.5	4,478,430

YCCC CLUB RESOURCE INFORMATION

DUES AND MEMBERSHIP STUFF Dues for the year are payable as of January 1st. The YCCC has adopted a multi-tiered membership format as follows: Please note that payment of dues IS NOT a prerequisite for contributing scores to the Club aggregate, but IS for the various YCCC Awards Programs. A lapsed member can reinstate lost privileges by paying current dues.

Full Member - \$15/yr (Eligible for YCCC member benefits and electronic "Ebutt" delivery of Club newsletter)

Family Member - \$0 (Grants full membership to all amateurs residing at one domicile on payment of one member's "Full Member" annual dues and entitlement to one Club Newsletter sent to one domicile or email address. All members of said family are eligible for YCCC member benefits.)

Student Member - \$10 (Grants full membership to students at a reduced level. Eligible for YCCC awards programs and electronic delivery of the Club Newsletter.)

Subscription - \$** (A "supportive friend of YCCC" - not a member but a possible candidate for future membership. Only receives club newsletter in electronic form. \$10 for electronic "Ebutt" delivery domestically or overseas.)

Club members who move out of club territory and so are not eligible to contribute to club aggregate scores can continue to participate in the Club's e-mail reflector and receive the electronic "Ebutt" delivery of newsletter at no cost.

You can tell if you owe dues by checking Club roster in the website. **Mail your dues to the club treasurer, Chet Slabinski, N8RA, 200 Mount Parnassus Rd, East Haddam, CT 06423**, or PayPal them to yccc-paypal@yccc.org. Please add a note with your call, family call signs, year(s) being paid, and before clicking the button to "send payment now" on the confirmation screen, make sure that "sending to a friend" is selected. (*The Club is not a merchant that sells goods and services. PP charges the Club a fee and warns us if sent that way.*)

SCUTTLEBUTT ARTICLES should be sent to the Scuttlebutt editor, Steve Rodowicz N1SR, by E-mail at n1sr@arrrl.net

The deadline for each issue is the 10th of the preceding month..

Scuttlebutt Advertising: Nominal Business Card sized ad, \$50 per year (6 appearances)

CONTEST SCORES should be sent to the club scorekeeper, Alec Berman, W2JU, preferably by E-mail at scores@yccc.org. Please include details such as numbers of QSOs, QSO points (if appropriate), and multipliers (all types); entry category; and power.

CLUB GOODIES

BADGES YCCC badges are available from Tony, K1KP. Send \$3, name and call desired on the badge, and your mailing address to Tony.

APPAREL Contact Richie, W1STT. Email: richd1313@aol.com

YCCC LOGO ITEMS <http://www.cafepress.com/n1k>

QSL CARDS are ordered through Tom, W1TO. To order, complete the QSL form from the YCCC website, send it to W1TO who will verify all information is included and send to UX5UO after resolving any issues. You will receive a proof copy directly from UX5UO. Approve the proof after resolving any issues with UX5UO. Email acceptance to UX5UO with copy to W1TO. Current price is \$45/thousand (matte) and \$49/thousand heavy matte. Payment to UX5UO representative, KD4POJ at Mr David Lipscomb, KD4POJ, 4201 13th Street NE, Minot, ND, 58703. eMail: kd4poj@srt.com

MEMBERSHIP ROSTER is posed on the YCCC website. Updates are published in 'Movers and Shakers' when members move or change call signs.

COMPUTER STUFF INTERNET REFLECTOR There is an Internet mailing list for YCCC members. To subscribe, go to <https://groups.io/g/yccc/join> and enter your email address.

WWW HOME PAGE Come visit us at <http://www.yccc.org> Our Webmaster is Mike Gilmer, N2MG.

QSL BUREAU – The W1 QSL BUREAU is sponsored by the YCCC. For more information at: www.w1qsl.org
Address: W1 QSL Bureau, PO Box 73, Marlborough, MA 01752-0073. Email address: w1qsl@w1qsl.org

ARRL COMMITTEE REPS:

CAC: New England Rudy Bakalov, N2WQ RAC Samuel A Ferris, VE5SF	Hudson Zev Darack, N2WKS	Atlantic Charles D Fulp Jr, K3WW
DXAC: New England Bob Beaudet, W1YRC	Hudson Saul Abrams, K2XA	Atlantic Chris Shalvoy, K2CS
ARRL LIAISON: Bart J. Jahnke, W9JJ	Hudson Frederick Lass, K2TR	Atlantic Joe Taylor, K1JT